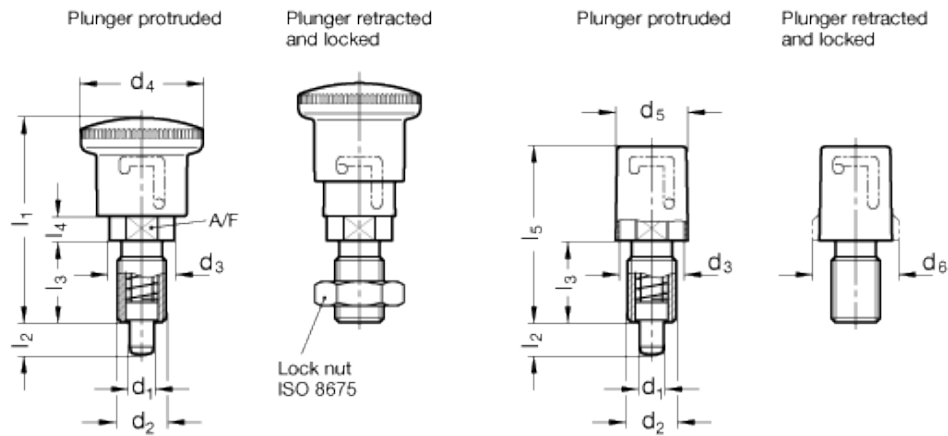


# GN 816

Locking plungers



## technical informations

### Threaded body

Zinc-plated steel, blue passivated.

### Plunger

AISI 303 stainless steel. Suggested matching hole in  $+0.15/+0.07$  tolerance.

### Spring

AISI 301 stainless steel.

### Locking nut

Black-oxide steel.

### Knurled knob

High impact strength polyamide based (PA) technopolymer, black colour, matte finish. Resistant to solvents, oils, greases and other chemical agents.

## Sleeve

High impact strength polyamide based (PA) technopolymer, black colour, matte finish. Resistant to solvents, oils, greases and other chemical agents.

### Standard versions available

- Type A: Operation with knob, without locking nut.
- Type AK: Operation with knob and locking nut, ISO 8675.
- Type B: Operation with key, without locking nut.
- Type BK: Operation with key and locking nut, ISO 8675.

### Features and applications

If not operated, the plunger of the locking plungers GN 816 protrudes. To retract, move against the spring force and hold in the end position by turning by 90°.

The shape of the cam curve secures the plunger against accidental operation.

For the execution with operation with key (type B / BK) a key is required to move the plunger. In this execution, a cover sleeve provides additional security and safety from authorized removal of the locking plunger. The cover sleeve also provides additional protection against malfunction caused by dirt.

Standard Elements	Main dimensions													Spring pressure in N $\approx$		Weight
	Description	d <sub>1</sub> 0/-0.05	d <sub>2</sub>	d <sub>3</sub>	d <sub>4</sub>	d <sub>5</sub>	d <sub>6</sub>	l <sub>1</sub> $\approx$	l <sub>2</sub>	l <sub>3</sub>	l <sub>4</sub> $\approx$	l <sub>5</sub>	A/F	Preload	Max. load	
GN 816-6-M12x1.5-A	6	M12x1.5	16	28	17	-	50	8	20	6	43	14	13	28	50	
GN 816-8-M16x1.5-A	8	M16x1.5	18	28	17	20	52	10	22	6	48	16	14	38	50	
GN 816-6-M12x1.5-AK	6	M12x1.5	16	28	17	-	50	8	20	6	43	14	13	28	40	
GN 816-8-M16x1.5-AK	8	M16x1.5	18	28	17	20	52	10	22	6	48	16	14	38	80	
GN 816-6-M12x1.5-B	6	M12x1.5	16	28	17	-	50	8	20	6	43	14	13	28	30	
GN 816-8-M16x1.5-B	8	M16x1.5	18	28	17	20	52	10	22	6	48	16	14	38	50	
GN 816-6-M12x1.5-BK	6	M12x1.5	16	28	17	-	50	8	20	6	43	14	13	28	40	
GN 816-8-M16x1.5-BK	8	M16x1.5	18	28	17	20	52	10	22	6	48	16	14	38	70	



STANDARD MACHINE ELEMENTS WORLDWIDE